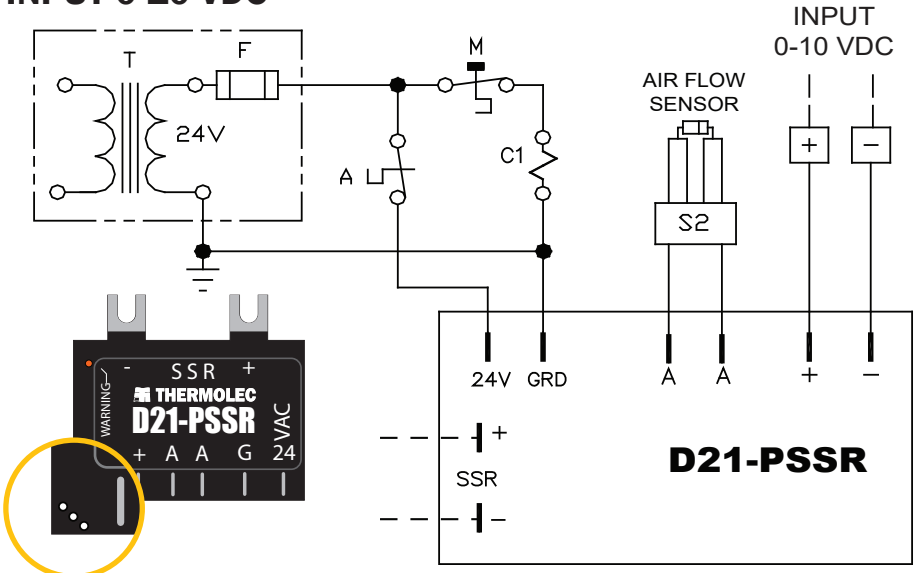
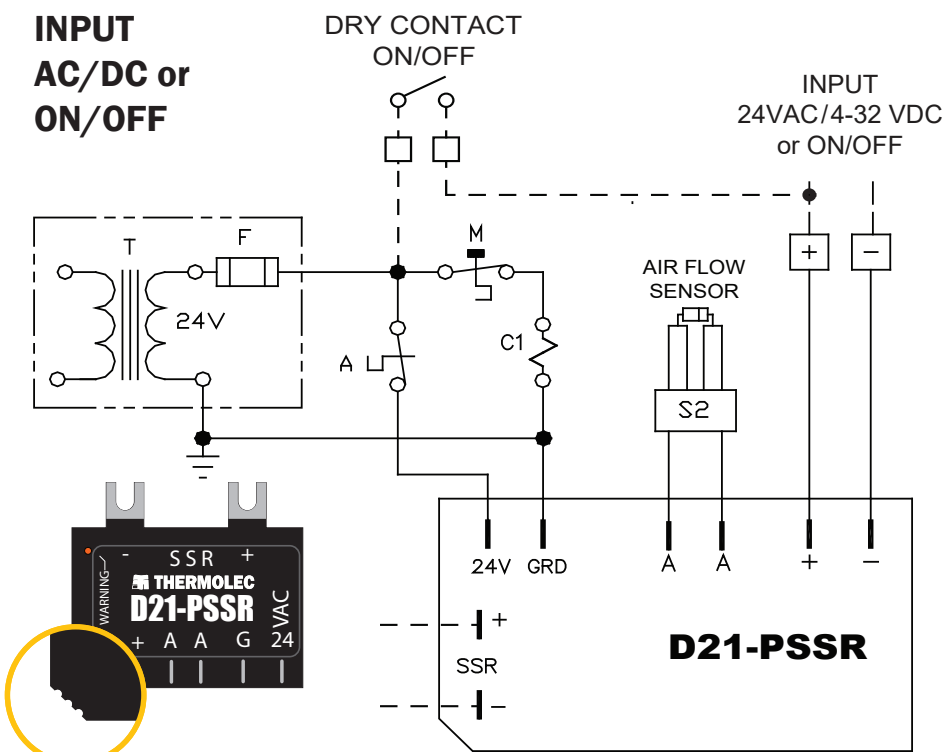


OPTIONS: INPUT 0-10 VDC



INPUT AC/DC or ON/OFF



NOTE: THE SETTING IS PERMANENT ONCE THE CORNER IS CUT
 La configuration est permanente lorsque le coin est coupé