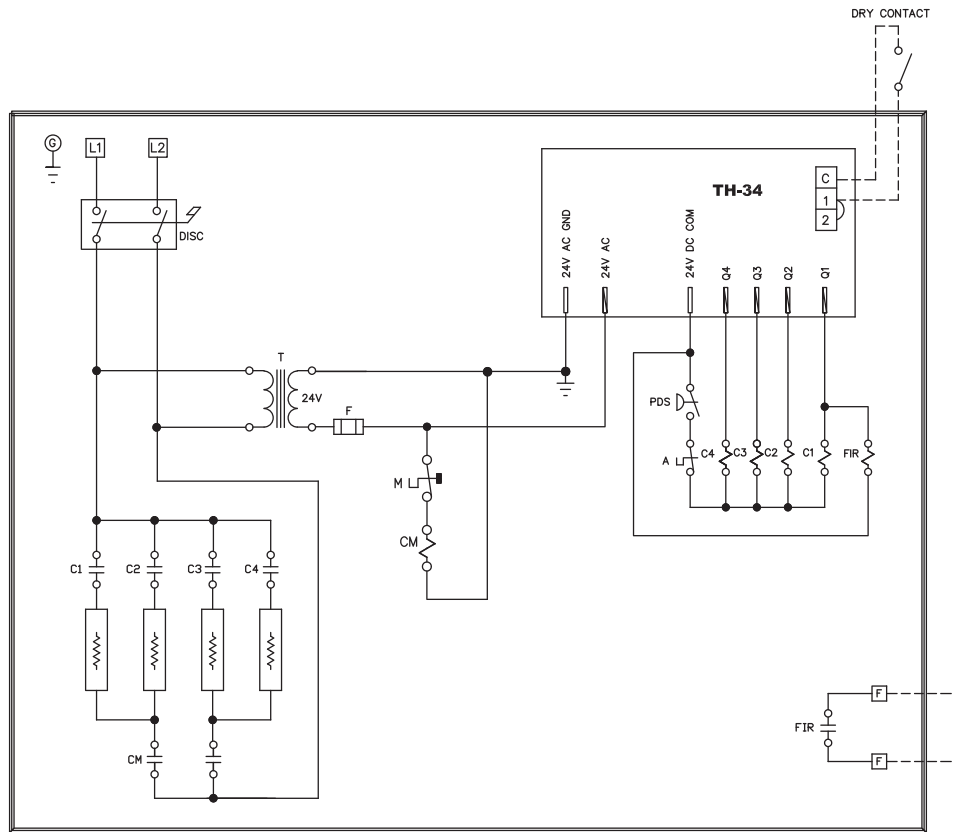


The **TH34** electronic sequencer has been designed as a compact solution to replace bimetallic mechanical sequencers to split loads into smaller delayed sequences. When the thermostat contact closes, Q1 is instantly activated and then Q2 to Q4 after approximately 20 seconds per sequence (timing may change without notice). This controller is ideal for residential installations to help avoid flickering lights typical with higher amperage modulation. High kW commercial heaters are another common application. Multiple TH34s can be used for additional sequences.

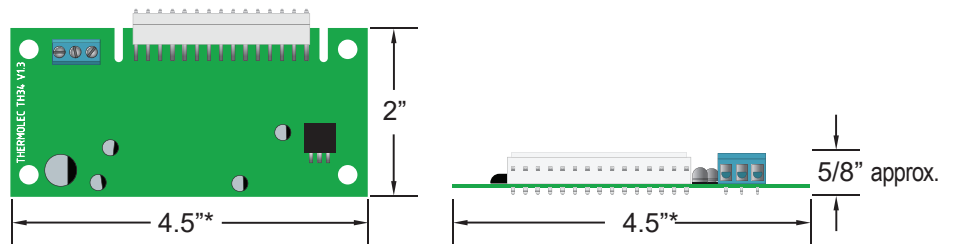
TYPICAL WIRING DIAGRAM:



FEATURES:

- 1 or 2 stage input
- 2 or 4 sequence output
- delay between sequences
- compact design
- silent operation

DIMENSIONS:



* dimensions are approximate and may change without notice

