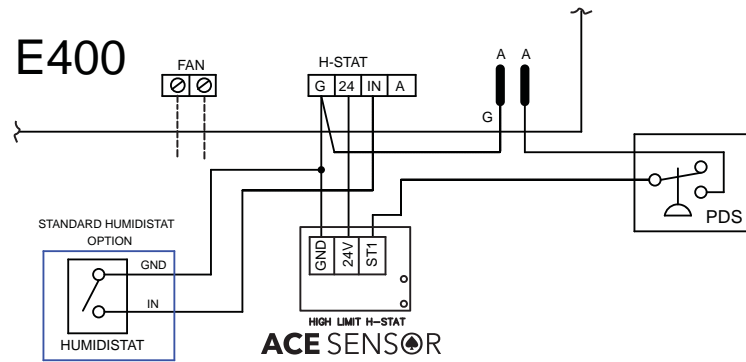
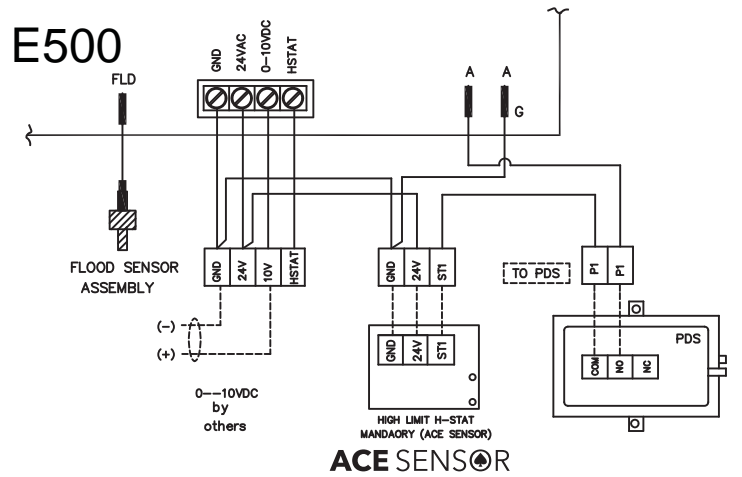




Thermolec's exclusive ACE SENSOR monitors the conditions in the duct to prevent excessive buildup of humidity. It is included with every AcuSteam Pro and may be used with the residential AcuSteam as an option. The high limit cutoff is adjustable from 80 to 90% RH.

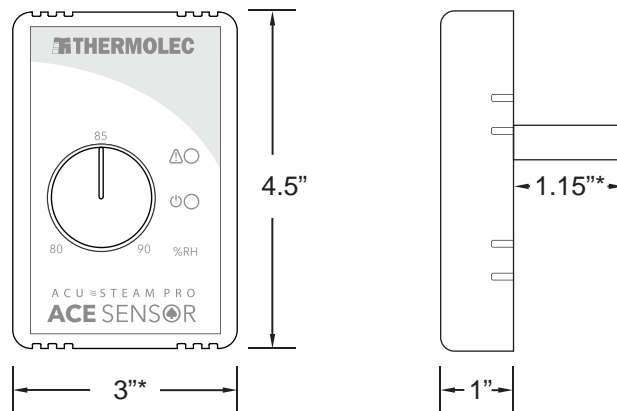
TYPICAL WIRING DIAGRAM:



FEATURES:

- Adjustable from 80 to 90 %RH
- Low Voltage
- White ABS housing
- 3 wire connection

DIMENSIONS:



* dimensions are approximate and may change without notice